



NEW ENGLAND

HOME GOODS



NEHG-LOGAN-61-WH

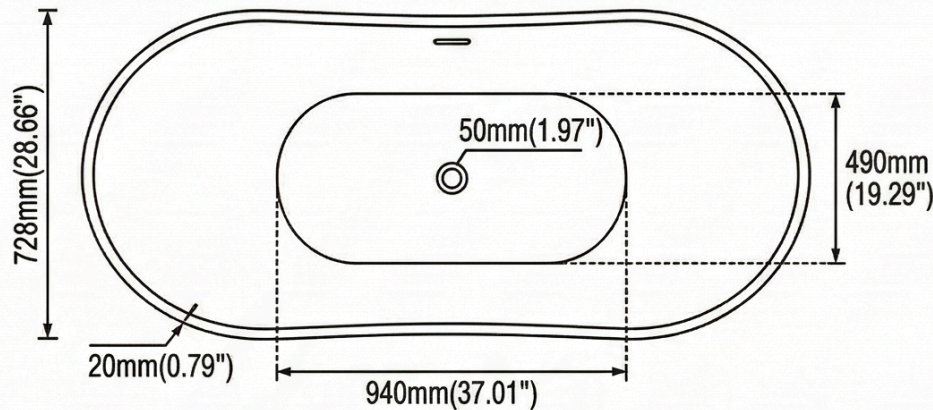


Fig. 1: Top Plan and Basin Dimensions

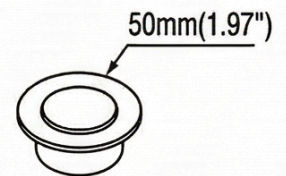


Fig. 1: Top Plan showing central drain and internal basin

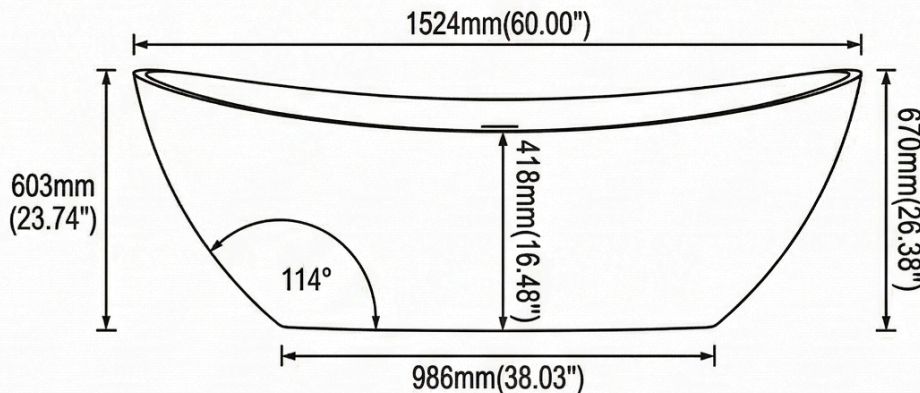


Fig. 2: Side Profile Elevation

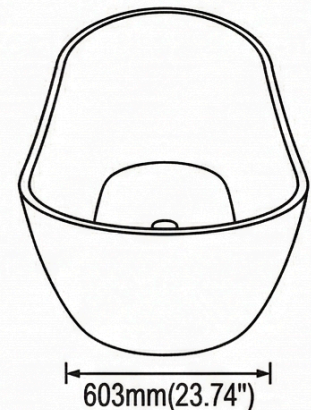


Fig. 3: End Perspective View

Key Specifications:

- **Material:** Premium Double-Walled Acrylic
- **Reinforcement:** Fiberglass and Resin
- **Color:** Deep White
- **Overflow/Drain:** Integrated Overflow with Polished Brass Pop-Up Drain (Option for other finishes)
- **Capacity:** 75 Gallons (approx. to overflow)
- **Certifications:** cUPC Certified
- **Warranty:** 5-Year Limited Manufacturer Warranty

Recommended Rough-In:
Confirm drain and supply lines
for optimal placement.