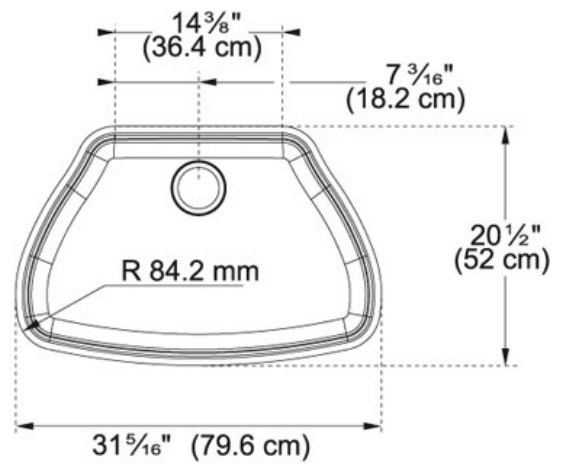


# SPECIFICATION SHEET

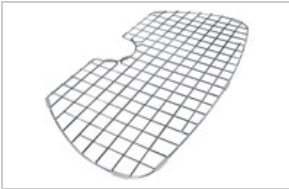
PRODUCT FAMILY: Sinks FINISH: Stainless Steel SERIES: CENTENNIAL MODEL: CQX11029



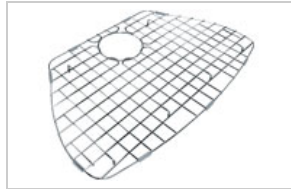
## Product Information

<b>FUN#</b>	122.0183.745
<b>US Part Number</b>	CQX11029
<b>Minimum Cabinet Size</b>	33"
<b>Drain Opening</b>	3 1/2"
<b>Outer Dimensions</b>	31 5/16"x20 7/16"
<b>Bowl Size</b>	29 1/16"x18 1/8"x9"
<b>Number of Bowls</b>	1

**Accessories**



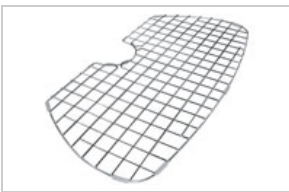
112.0195.449



112.0195.450

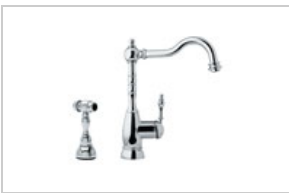


112.0195.455



112.0196.894

**Suggested Products**



115.0067.285



119.0191.630



120.0175.292



120.0175.322



122.0183.744